



## ARBOUR

### LINEAR PENDANT

A continual timber solid, formed to unite space and celebrate the beauty of the natural. Arbour is a linear timber light which creates the perfect downward luminosity. Created by the divergence of two curves that flow along and around the product.

Solid Walnut, Rock Maple or Oak marries perfectly with the hand polished champagne anodised elements.

### AVAILABLE FINISHES



ROCK MAPLE  
SOLID TIMBER



AMERICAN WALNUT  
SOLID TIMBER



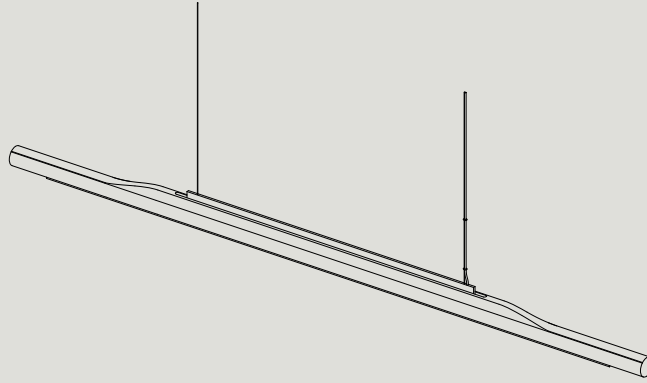
AMERICAN OAK  
SOLID TIMBER

## TECHNICAL

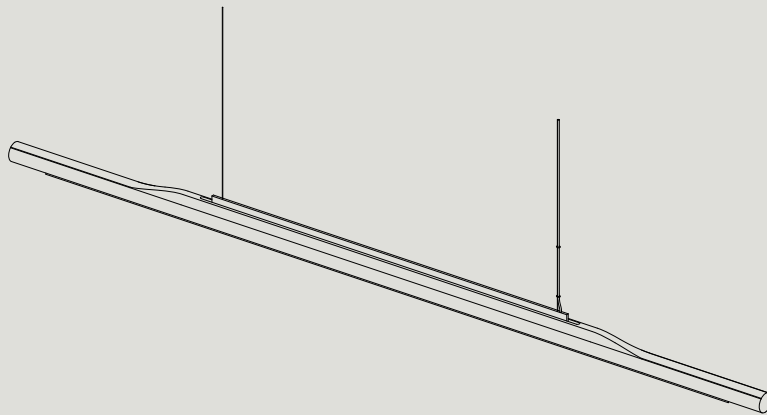
MATERIAL	SOLID TIMBER, ANODISED ALUMINIUM
LAMPING	HIGH-OUTPUT 24V COMMERCIAL GRADE LED STRIP 3000K WARM WHITE, CRI>80, DIMMABLE CONSUMPTION: 14.64W/METRE OUTPUT LUMINANCE: 1385LM/METRE SUPPLIED WITH 2M OF FLEX & SUSPENSION WIRE.
LED LIFESPAN	50,000 HRS
CONTROL	AVAILABLE AS EITHER 1-10V, PHASE, DALI OR NON-DIMMING. DIMMING RANGE 10 - 100%. FOR OPTIMAL DIMMING PERFORMANCE WE RECOMMEND SOURCING A ROTARY OR PUSH BUTTON DIMMER WITH AN ADJUSTMENT DIAL CAPABLE OF SETTING THE DIMMING RANGE OF THE FIXTURE.
IP RATING	IP20 - FOR INDOOR USE ONLY
CERTIFICATION	AS/NZS - 60598.2.1 (FIXED LIGHTING) EN - 60598.2.1 (FIXED LIGHTING)

PRODUCT CODES SKU	EG. APS-H-AWT - ARBOUR LINEAR PENDANT STANDARD IN AMERICAN WALNUT
APS-H-XXX	ARBOUR LINEAR PENDANT STANDARD
APL-H-XXX	ARBOUR LINEAR PENDANT LONG
FINISHES FOR ALL VARIATIONS:	TIMBER: ROCK MAPLE (H-RKM), AMERICAN WALNUT (H-AWT), AMERICAN OAK (H-AOK)
DIMENSIONS	VARIOUS - SEE DIMENSIONS ON FOLLOWING PAGE*
WEIGHT	ALP.S - 3.0KG / 6.6LB ALP.L - 4.0KG / 8.8LB
PACKAGING	ALP.S - Ø 13CM L 200CM / Ø 5.1" L 78.7" ALP.L - Ø 13CM L 240CM / Ø 5.1" L 94.5"
PACKAGING WEIGHT	ALP.S - 5.0KG / 11.0LB ALP.L - 6.0KG / 13.2LB

## DIMENSIONS



ALP.S  
L 1850 W 50 H 2000 with flex  
L 72" W 1.9" H 78.7" with flex  
CEILING CANOPY SPACING L850 / 33.4"



ALP.L  
L 2200 W 50 H 2000 with flex  
L 86" W 1.9" H 78.7" with flex  
CEILING CANOPY SPACING L980 / 38.6"